

S803W-SCL-SR UL Short circuit current limiter, self-resetting



UL version short circuit current limiter, self-resetting, 3 pole

Description	Catalog number
32A Self-resetting current limiter	S803W-SCL32-SR
63A Self resetting current limiter	S803W-SCL63-SR
100A Self resetting current limiter	S803W-SCL100-SR

Technical specifications

Rated voltage	600 VAC per UL508
Short circuit current rating according to UL508, CSA 22.2	480 VAC 50/60 Hz, 65 kA 600 VAC 50/60 Hz, 65 kA

Approved combinations with motor starter

Downstream devices	Upstream devices		
	32	63	100
MS/MO325			
0.1-2.5	•	•	•
4	•	•	•
6.3	•	•	•
9	•	•	•
12.5	•	•	•
16	•	•	•
20		•	•
25		•	•
MS/MO132			
0.1-2.5	•	•	
4	•	•	
6.3	•	•	•
10	•	•	•
16	•	•	•
20		•	•
25		•	•
32		•	•

-Combinations with S500-K and S500-KM on request.

•Applies for all voltages according to the table below

Rated ultimate short-circuit breaking capacity

Short-circuit rating according to UL 508, CSA 22.2

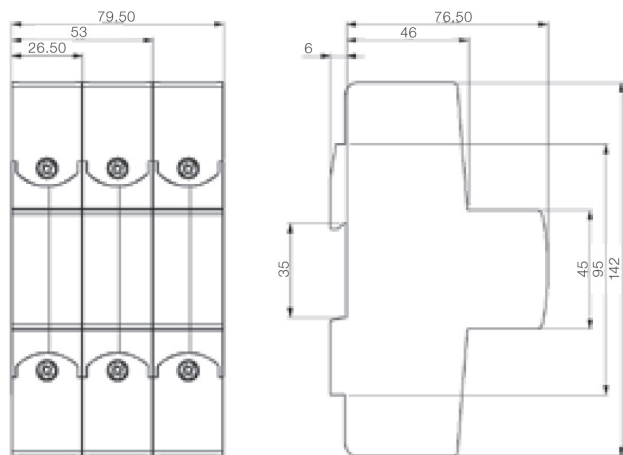
(AC) 50/60 Hz 480 V	[kA]	65
(AC) 50/60 Hz 600 V	[kA]	65

$I_{cu} = I_{cs}$ according to IEC 60947-2

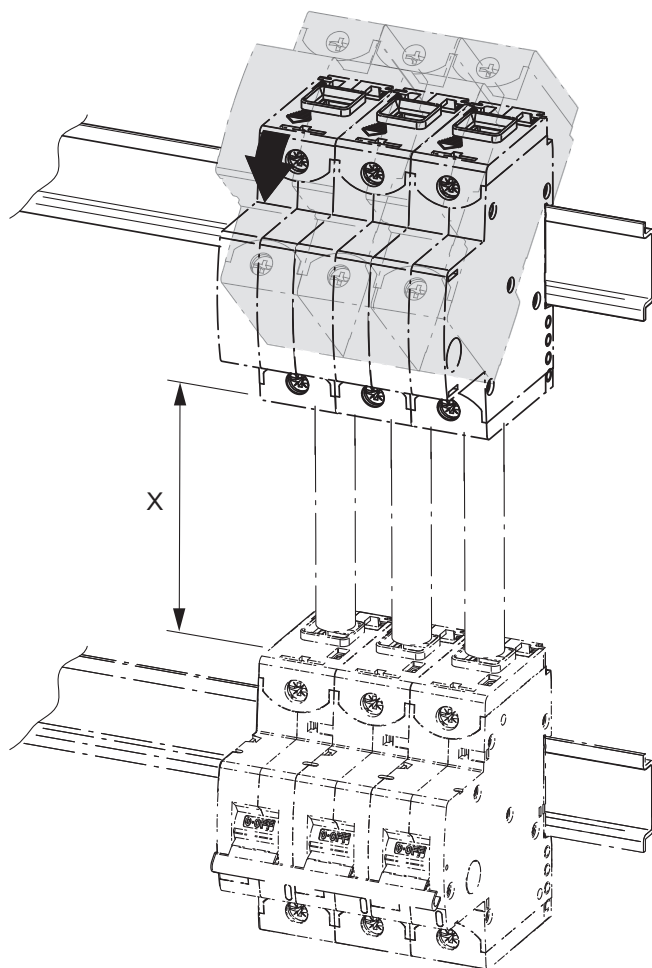
(AC) 50/60 Hz 240/415 V	[kA]	100
(AC) 50/60 Hz 254/440 V	[kA]	100
(AC) 50/60 Hz 277/480 V	[kA]	65
(AC) 50/60 Hz 289/500 V	[kA]	65
(AC) 50/60 Hz 346/600 V	[kA]	65
(AC) 50/60 Hz 400/690 V	[kA]	50

Approximate dimensions

S803W-SCL-SR UL508 Short circuit current limiter, self-resetting



Minimum cable length between S803W-SCL-SR and downstream devices
(Connection has to be short-circuit proofed acc. to IEC 61439-1)



MS/M0325		
MS/M0132		
S800		
S800-SCL-SR	min. length X	min. cross section
32 A	80 mm	6 mm ²
63 A	80 mm	16 mm ²
100/125 A	250 mm	35 mm ²